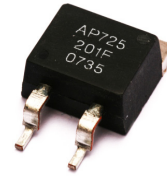


AP725 20W TO-263 Power Resistor **ARCOL**

- Power Dissipation 20 watts with h/s
- Low inductance
- D²PAK housing
- Electrically isolated from backplate
- TCR Options ± 100 ppm/ $^{\circ}\text{C}$
- RoHS Compliant



Characteristics

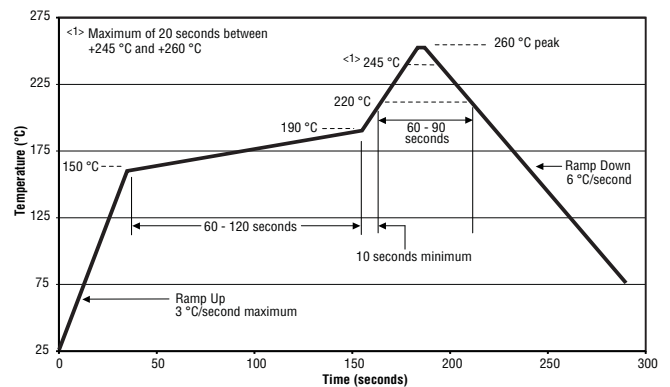
Tolerance (Code):	$\pm 1\%$ (F), $\pm 5\%$ (J)
Value range:	R02 to 130K (with standard resistance values)
Power rating:	20W at 25 $^{\circ}\text{C}$ case temperature
Temperature coefficient:	± 100 ppm/ $^{\circ}\text{C}$
Thermal resistance:	6.5 $^{\circ}\text{C}/\text{W}$
Inductance:	0.1 μH maximum
Operating voltage:	$\sqrt{P \cdot R}$ with a maximum of 250V
Dielectric strength:	2kVac
Insulation resistance:	10G Ω
Operating temperature:	-55 $^{\circ}\text{C}$ to 155 $^{\circ}\text{C}$

Electrical Specifications

Parameter	Specification
Short term overload (2x Pr for R < 2 Ω , 1.6 x Pr for R \geq 2 Ω , V < 1.5x operating voltage)	$\Delta R \pm 0.25\%$
Load life (1000 hours at rated power)	$\Delta R \pm 1.0\%$
Thermal shock (-55 $^{\circ}\text{C}$ to 155 $^{\circ}\text{C}$, 5 cycles)	$\Delta R \pm 0.5\%$
Resistance to soldering heat (10 sec at 270 $^{\circ}\text{C}$)	$\Delta R \pm 0.5\%$
Vibration (20 G 10 - 2000Hz .06" D.A)	$\Delta R \pm 0.25\%$
Moisture sensitivity level	1

Soldering Profile

Power dissipation is 2.8W at an ambient temperature of 25 $^{\circ}\text{C}$ when mounted on a double sided copper using FR4, 70 μm of copper 39x30x1.6mm



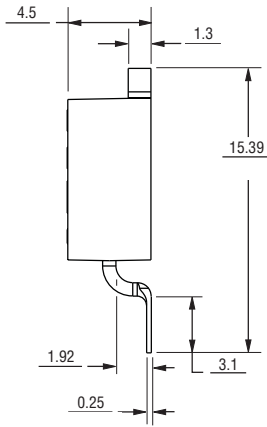
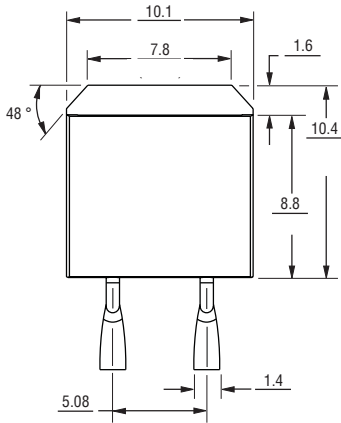
ARCOL UK Limited,
Threemilestone Ind. Estate,
Truro, Cornwall, TR4 9LG, UK.
T +44 (0) 1872 277431
F +44 (0) 1872 222002
E sales@arcolresistors.com

www.arcolresistors.com

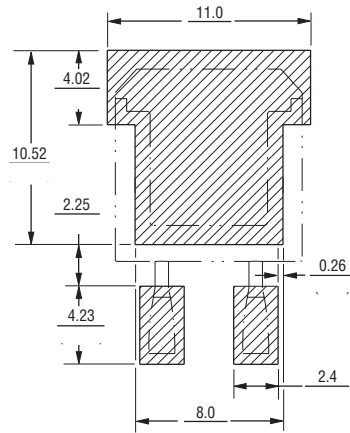
The information contained herein does not form part of a contract and is subject to change without notice. ARCOL operate a policy of continual product development, therefore, specifications may change.

It is the responsibility of the customer to ensure that the component selected from our range is suitable for the intended application. If in doubt please ask ARCOL.

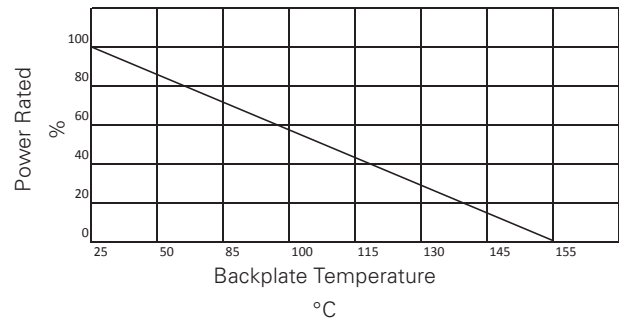
Dimensions (mm ± 0.38)



Recommended pad layout



Derating Curve



Ordering Procedure

Standard Resistor: Series, Resistance Value, Tolerance, Packaging options T&R - TR or Tubes - blank

e.g. AP725 8R2 J TR / AP725 2R F

ARCOL UK Limited,
Threemilestone Ind. Estate,
Truro, Cornwall, TR4 9LG, UK.
T +44 (0) 1872 277431
F +44 (0) 1872 222002
E sales@arcolresistors.com

www.arcolresistors.com

The information contained herein does not form part of a contract and is subject to change without notice. ARCOL operate a policy of continual product development, therefore, specifications may change.

It is the responsibility of the customer to ensure that the component selected from our range is suitable for the intended application. If in doubt please ask ARCOL.