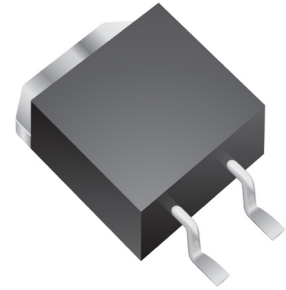


AP750 50W TO-263 Power Resistor **ARCOL**

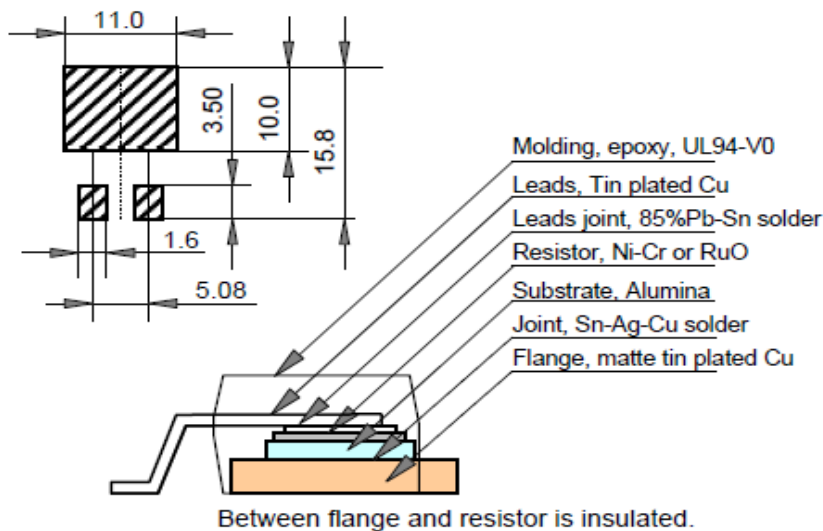
- Power Dissipation 50 watts up to 25°C
- Low inductance suits high frequency applications
- D²PAK housing
- Electrically isolated from backplate
- Value range from R02 to 51K
- RoHS Compliant



Characteristics

Tolerance (Code):	± 1% (F), ± 5% (J)
Value range:	R02 to 51K (below R1 E6 range, Above R1 E24 range)
Power rating:	50W at 25°C case temperature
Temperature coefficient:	R02 - R091 ±250ppm/°C, R1 - 9R1±100ppm/°C, 10R - 51K ±50ppm/°C
Thermal resistance:	2.3°C/W
Inductance:	9.65 nH
Max operating voltage:	$\sqrt{P \cdot R}$ with a maximum of 500V
Dielectric strength:	2kVac
Insulation resistance:	> 1000 MΩ
Operating temperature:	-55°C to 155°C
Load Life	1000 Hours, 25°C 90 mins on / 30 mins off

Soldering Pad layout & Resistor Construction



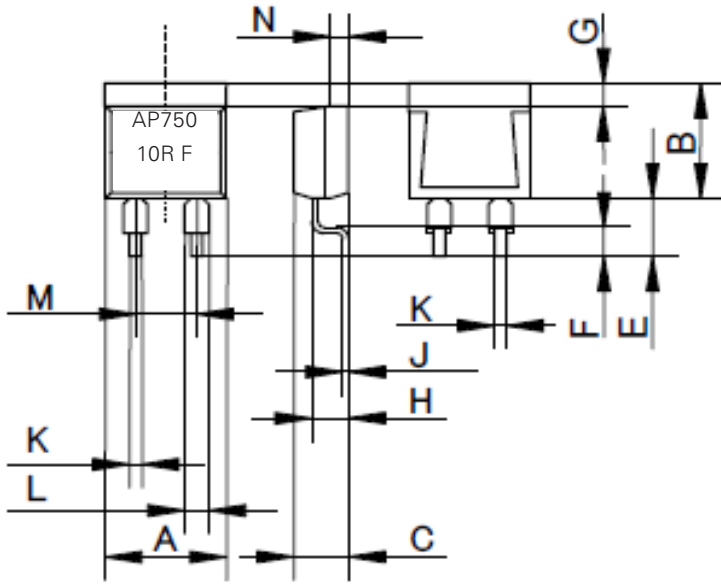
ARCOL UK Limited,
Threemilestone Ind. Estate,
Truro, Cornwall, TR4 9LG, UK.
T +44 (0) 1872 277431
F +44 (0) 1872 222002
E sales@arcolresistors.com

www.arcolresistors.com

The information contained herein does not form part of a contract and is subject to change without notice. ARCOL operate a policy of continual product development, therefore, specifications may change.

It is the responsibility of the customer to ensure that the component selected from our range is suitable for the intended application. If in doubt please ask ARCOL.

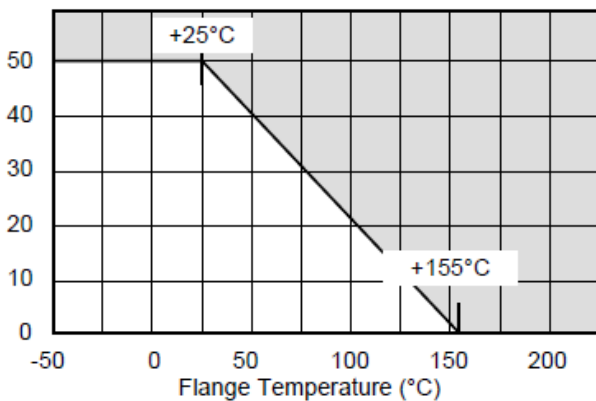
Dimensions (mm)



DIMENSIONS		
	mm	+/-mm
A	10.1	+/-0.2
B	10.3	+/-0.2
C	4.5	+/-0.2
D	-	-
E	5.0	+/-1.0
F	2.5	+/-0.5
G	2.2	+/-0.2
H	2.75	+/-0.2
J	0.5	+/-0.05
K	0.75	+/-0.05
L	1.5	+/-0.05
M	5.08	+/-0.10
N	1.5	+/-0.05

Derating Curve

Rating Power (W)



Ordering Procedure

Standard Resistor: Series, Resistance Value, Tolerance, Packaging options Tape & Reel - TR or Tubes - blank

e.g. AP750 8R2 J TR / AP750 2R J

ARCOL UK Limited,
Threemilestone Ind. Estate,
Truro, Cornwall, TR4 9LG, UK.
T +44 (0) 1872 277431
F +44 (0) 1872 222002
E sales@arcolresistors.com

www.arcolresistors.com

The information contained herein does not form part of a contract and is subject to change without notice. ARCOL operate a policy of continual product development, therefore, specifications may change.

It is the responsibility of the customer to ensure that the component selected from our range is suitable for the intended application. If in doubt please ask ARCOL.