

FCR Thick Film Power Resistors



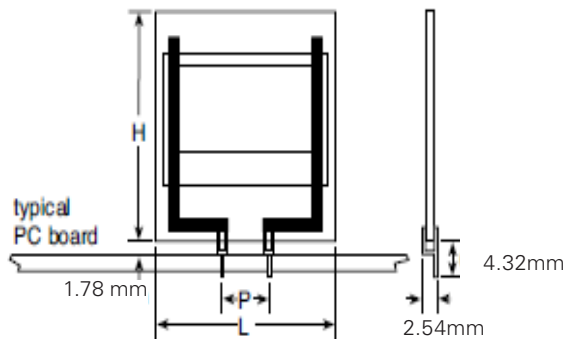
FCR resistors use thick film technology on an alumina substrate. The design yields greater power densities, requiring substantially less board space than other radial packages

- High Operating Temperature
- High Power Density
- RoHS Compliant
- Wide Resistance Range
- Space Saving Package



Characteristics

Tolerance (Code):	$\pm 1\%$ (F), $\pm 5\%$ (J), $\pm 10\%$ (K)
Resistance Range:	5 watt from R25 to 200K 10 watt from 1R to 200K
Temperature coefficient:	$<1R \pm 450\text{ppm}/^\circ\text{C}$, $1R$ to $100R \pm 100\text{ppm}/^\circ\text{C}$, $>100R \pm 50\text{ppm}/^\circ\text{C}$
Overload:	5 times rated power as long as the one second average dissipation does not exceed the rated wattage. $\Delta R \pm 2\%$, 2000 hours
Maximum working voltage:	350Vac, 500Vdc through glass. 1000Vac, 1500Vdc through substrate
Power rating:	Not to exceed power rating
Derating:	Based on 25°C free air, FCR5 5 Watts, FCR10 10 Watts
Derating:	100% at 25°C to 0% at 180°C ambient
Terminals:	Solder Plated Phosphor Bronze



Dimensions (mm)

Series	Wattage	P	L $\pm .508\text{mm}$	H $\pm .508\text{mm}$
FCR5	5	5.08	12.70	25.40
FCR10	10	20.32	25.40	25.40

Ordering Procedure

Standard Resistor: Series, Resistance Value, Tolerance
eg: FCR10 10R J

ARCOL UK Limited,
Threemilestone Ind. Estate,
Truro, Cornwall, TR4 9LG, UK.
T +44 (0) 1872 277431
F +44 (0) 1872 222002
E sales@arcolresistors.com

www.arcolresistors.com

The information contained herein does not form part of a contract and is subject to change without notice. ARCOL operate a policy of continual product development, therefore, specifications may change.

It is the responsibility of the customer to ensure that the component selected from our range is suitable for the intended application. If in doubt please ask ARCOL.